



A self draining
structural shower
system with
built-in fall



What is the Akril Tile Tray?



Structural & self supporting

Can be installed directly onto joists

Manufactured in Australia

Does not require waterproofing

Built-in fall for drainage

Waterproof tray system that wont leak

Multiple waste & grate options available

10 Year guarantee

Watermark certification

Manufactured using Torbex®

Tray flange easy to trim down to suit all tiling heights

Sanitary grade suitable for all wet areas

The Akril Tile Tray, manufactured from Torbex®, is a self draining shower system with built-in fall. With watermark certification meeting Australian standards on all outlets, the Akril Tile Tray system offers a high quality package for quick and easy installation. It can also be installed directly onto joists.

The Akril Tile Tray is the only Australian made, structural, waterproof tray on the market!

Not only is it ideal for tight spaces due to its pre-formed design, but it's also a great feature in more elaborate bathroom designs.

Akril Structural Tile Tray

Easy to install and high-quality, you can be confident that the Akril Tile Tray system will meet both your construction and design needs. Why not try the rear grate option, which offers a modern stylish look.

What is Torbex®?

Torbex® is a high strength long glass fibre composite material designed and developed specifically for use in shower trays. Torbex® is produced by Australia's largest manufacturer of composite materials.



Tile Tray

Specifications

The Tile Tray Range

Product	Width	Depth	Code
Tile Tray Rear Outlet Torbex®	900mm	900mm	54700
Tile Tray Rear Outlet Torbex®	1200mm	900mm	54702
Tile Tray Rear Grate Torbex®	900mm	900mm	54701
Tile Tray Rear Grate Torbex®	900mm	1200mm	54706
Tile Tray Rear Grate Torbex®	1200mm	900mm	54703
Tile Tray Rear Grate Torbex®	1500mm	1000mm	54707
Tile Tray Rear Grate Torbex®	1800mm	1000mm	54708
Tile Tray Rear Grate Torbex®	2100mm	1000mm	54709

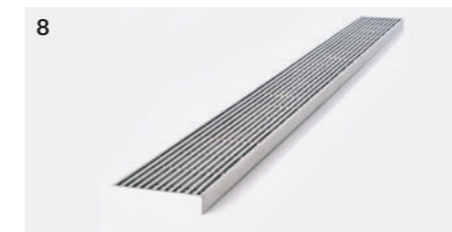
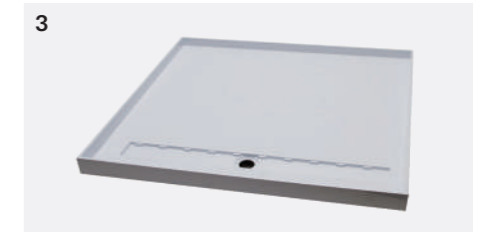
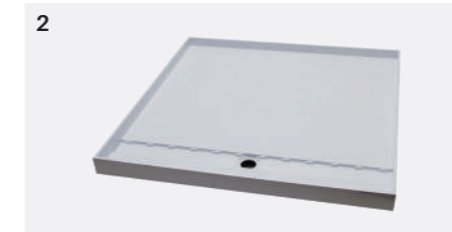
The Drains Range

Product	Code
Round Drain	11740
Square Drain	11730
Tile insert Drain	11750

The Grates Range

Product	Suits	Code
840mm Channel Grate SS, Punched	54701	11781
860mm Channel Grate SS, Wire style	54701	54716
840mm Channel Grate SS, Tile Insert	54701	11756
840mm Channel Grate SS, Punched	54706	11781
840mm Channel Grate SS, Wire style	54706	11783
840mm Channel Grate SS, Tile Insert	54706	11756
1160mm Channel Grate SS, Punched	54703	11785
1160mm Channel Grate SS, Wire style	54703	54717
1140mm Channel Grate SS, Tile Insert	54703	11759
1140mm Channel Grate SS, Punched	54707	11782
1140mm Channel Grate SS, Wire style	54707	11784
1140mm Channel Grate SS, Tile Insert	54707	11759
1430mm Channel Grate SS, Punched	54708 & 54709	11786
1430mm Channel Grate SS, Wire style	54708 & 54709	54735
1430mm Channel Grate SS, Tile Insert	54708 & 54709	11751

Structural Tile Tray Options



1
Tile Tray Rear Outlet Torbex®

2
Tile Tray Rear Grate Torbex®

3
Tile Tray Rear Grate Torbex® (Large Format)

4
Round Drain

5
Square Drain

6
Tile Insert

7
Punched Style Grate

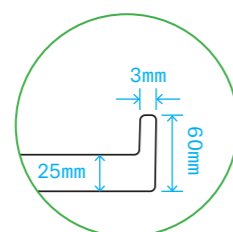
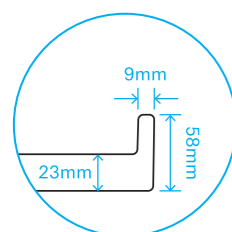
8
Wire Style Grate

9
Tile Insert Grate

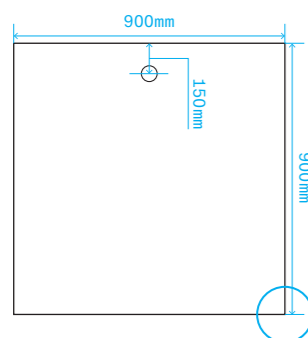
It is the responsibility of the installer to adhere to local building codes when installing the Akril tile tray.

Tile Tray

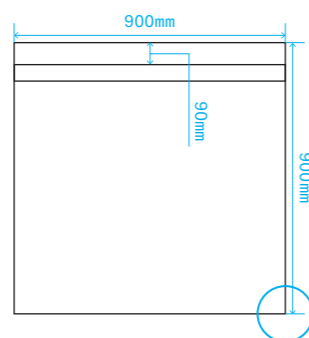
Dimensions



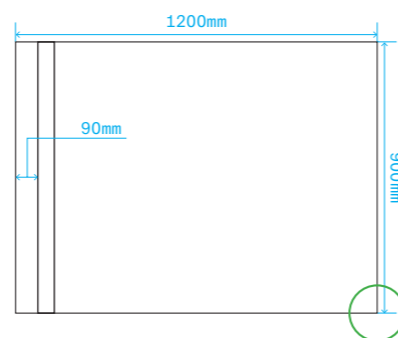
900mm Tile Tray Outlet



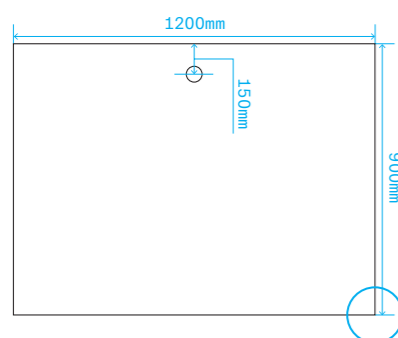
900mm Tile Tray Grate



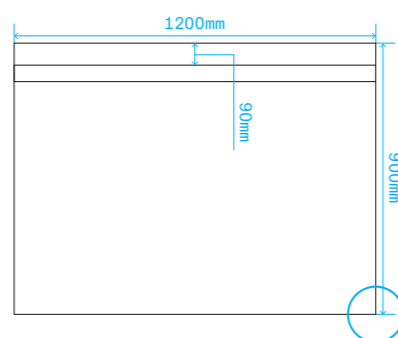
1200mm Tile Tray Grate



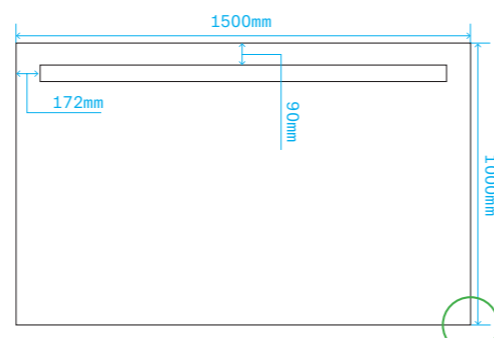
1200mm Tile Tray Outlet



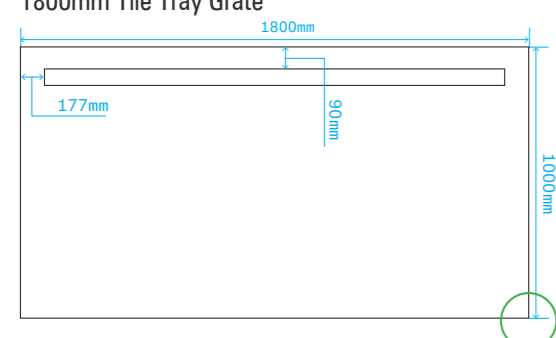
1200mm Tile Tray Grate



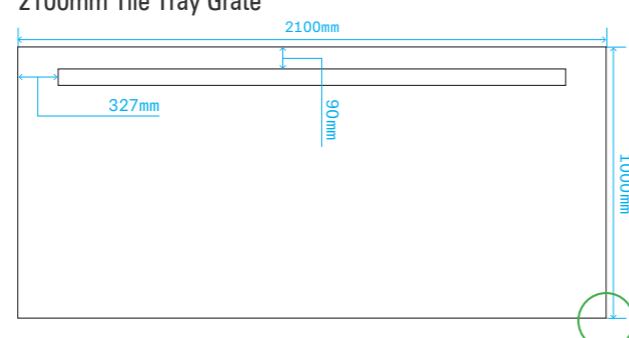
1500mm Tile Tray Grate



1800mm Tile Tray Grate



2100mm Tile Tray Grate



Akril Tile Trays are DIY Easy!

Your Akril Tile Tray can be installed directly onto joists. It can also be installed onto particleboard or hardwood flooring and even concrete slabs.

With its structural properties, built in fall and high weight rating it will save you time and money while giving you peace of mind for years to come.

Easily trim the lip around the perimeter of the tray to suit your tile height for a seamless walk through tiled base. Akril Tile Trays are perfect for any bathroom whether you are doing a renovation or building a new home.

Please read the installation instructions carefully before installing your tray.

1 Adhere the tile tray in position



2 Lay your tiles over the tray



3 Your installation is complete!





Akril Wall Niche

Akril Wall Niche is a self supporting waterproof shower system manufactured from Torbex[®]. With three sizes available, our wall niches provide the convenience of a shower rack without the clutter.

Self supporting structurally sound

Water proof tray system that wont leak when installed correctly

Manufactured from Torbex[®]

10 Year Guarantee

Sanitary grade suitable for all wet areas

Simple to install

Ready to tile

Can be used in bathrooms, showers or just about any location around you home

Ideal storage solution

30mm lip with locators

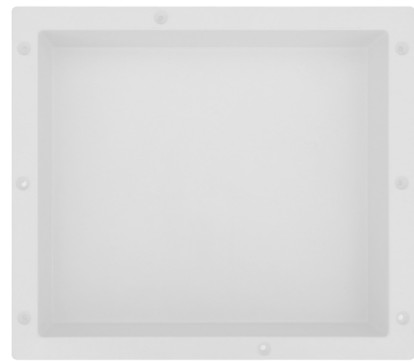
What is Torbex[®]?

Torbex[®] is a high strength long glass fibre composite material designed and developed specifically for use in shower trays and niches. Torbex[®] is produced by Australia's largest manufacturer of composite materials.

Wall Niche

Specifications & Dimensions

Wall Niche Options



Single Cavity
(407mm × 356mm x 98mm)



Single Cavity
(407mm × 508mm x 98mm)



Double Cavity
(407mm × 508mm x 98mm)

The Wall Niche Range

Product	Width	Height	Depth	Code
Torbex® Wall Niche Single Cavity	407mm	356mm	98mm	54760
Torbex® Wall Niche Single Cavity	407mm	508mm	98mm	54761
Torbex® Wall Niche Double Cavity	407mm	508mm	98mm	54762



akril™

brilliant



Phone 1800 46 47 28
Enquiries enquiries@akril.com.au
Orders orders@akril.com.au
online www.akril.com.au

Manufactured in Australia by



37 Hosie Street, Bayswater VIC AUS 3153
Telephone: (613) 8720 7600
Facsimile: (613) 9729 5197
Email: cme@composite.com.au

